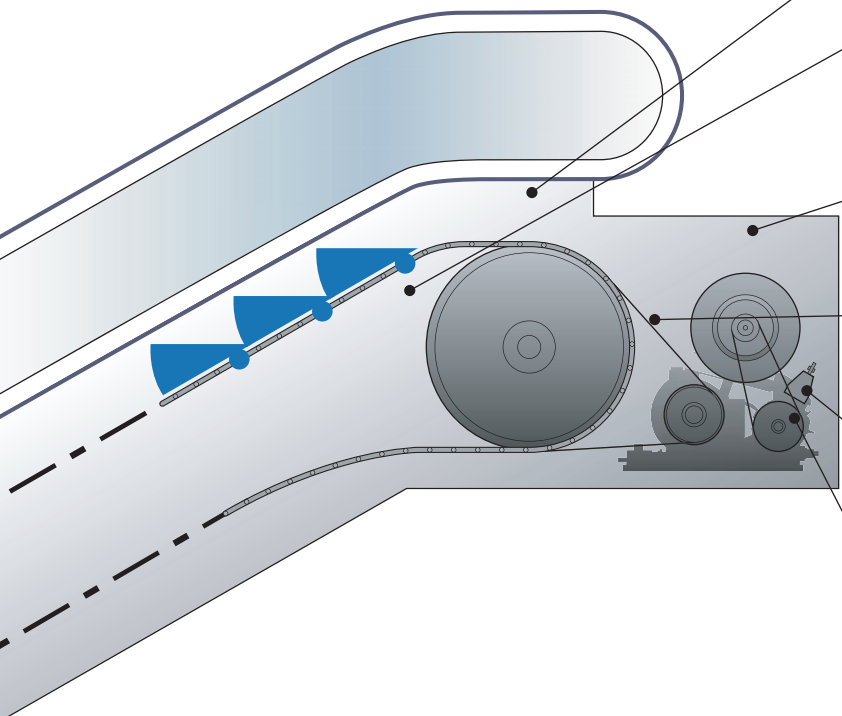


●...Standard ○...Optional



● **Emergency Stop Button (E-STOP)**

A button to immediately stop the escalator in emergency situations.

○ **Step Motion Safety Device (CRS)**

A safety device to stop the escalator when a Step has been dislocated on its riser side due to an object caught between the Steps, or between the Skirt Guard and the Step, or if an abnormality has been observed in the Step motion.

● **Overload Detection Device**

A safety device that stops the escalator if overload has been detected by abnormal current or temperature of the drive motor.

● **Drive Chain Safety Device (DCS)**

A safety device that stops the escalator if the Drive Chain breaks or stretches beyond an allowable limit.

● **Speed Governor (GOV)**

A safety device that stops the escalator if the speed significantly decreases or increases to 120% of the rated speed.

● **Electromagnetic Brake**

A safety device that stops the escalator in the case of power failure, or if any safety device or the Emergency Stop Button has been activated.

○ **Handrail Speed Safety Device (HSS)**

A safety device that stops the escalator if the Moving Handrails fail to synchronize with the Steps due to slippage, loosening or breakage of the Moving Handrails.

○ **Step Level Device (SRS)**

A safety device that stops the escalator if the horizontal level of a Step has dropped.

○ **Skirt Guard Safety Device (SSS)**

A safety device to stop the escalator if a shoe or other item becomes trapped in the gap between the Step and Skirt Guard.

○ **Comb-Step Safety Switch (CSS)**

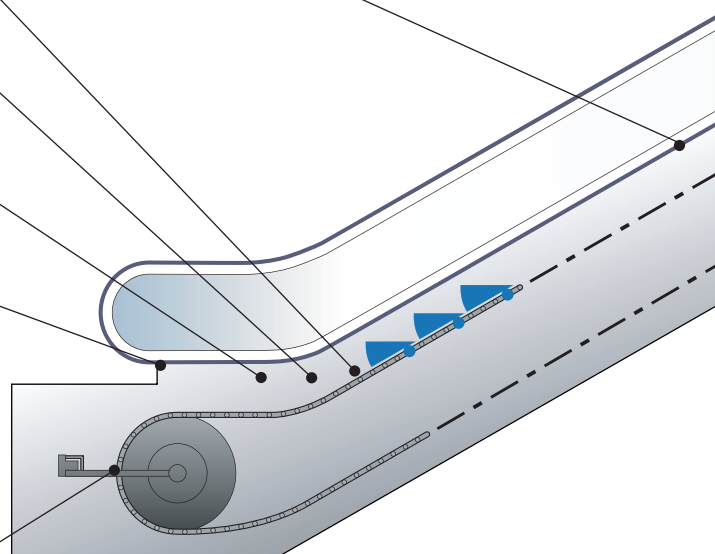
A safety device that stops the escalator if a foreign object becomes trapped in the gap between the Step and Comb.

● **Handrail Guard Safety Device (HGS)**

- 1) Inlet Guard
A guard made of soft rubber, which fits over the outside of the Moving Handrail where it enters the Balustrade to keep fingers, hands or foreign objects away from the Moving Handrail opening.
- 2) Inlet Guard Switch
A safety device that stops escalator when physical contact is made with the inlet.

● **Step Chain Safety Device (SCS)**

A safety device that stops the escalator if the Step Chain breaks or stretches beyond an allowable limit.



●...Standard ○...Optional N/A...Not applicable

Division	Specification			
		ZS	ZL*1	ZP
Control system	AC1	●		
	Inverter (VVVF)		○*2	
	Automatic Operation with Posts (Stationary in stand-by, AC1)		○	
	Automatic Operation with Posts (Slow operation in stand-by, Inverter)		○	
Safety features	Post-Free Automatic Operation (Slow operation in stand-by, Inverter)		○	
	Stop-Buzzer Key Switch	●		
	Anti-Slip Floor Plate	●		
	Step with Anti-Slip Grooves	●		
	Demarcation Line	●		
	Stepped Demarcation Line	●		
	Step Demarcation Lighting	○		
	Comb Light	○		
	Three Horizontal Steps	○		
	Warning System on Moving Handrail Inlet (Inlet Sensor)		○*3	
	Warning System on Outer Deck (Outer Deck Sensor)		○*3	N/A
	Directional Indicator on Handrail Inlet Cap (Handrail Inlet Cap LED Indicator)		○*3	*4
	Directional Indicator at Comb level (Comb-Side LED Indicator)		○*3	*5
Finish and decorative components	Balustrade	Transparent tempered glass panel	●	N/A
	See page 12 for sections.	Under-Handrail Lighting	N/A	●
		Stainless steel hairline panel	N/A	●
	Skirt Guard	Stainless steel hairline		●
		Fluoropolymer Coating		○
		Skirt Guard Lighting	○*1	N/A
	Deck Board	Stainless steel hairline		●
		Aluminum alloy Step Tread		●
	Step	Aluminum alloy Cleat Riser		●
		Yellow Demarcation Line		●
		Decorative Panel (Embossed stainless steel)		●
	Floor Plate	Floor Numbers		○
		Comb		●
Extension of Floor Plate			○	
Connection of adjacent Floor Plates			○	
Moving Handrail	Rubber See page 5 for colors.		●	
	Handrail Inlet Cap Resin		●	
Others	MelEye		○	
	Automatic oiler		○	

*1: Not applicable to semi-outdoor and outdoor use.

*2: Please contact your local Mitsubishi Electric sales agent for VVVF control.

*3: Not applicable to outdoor use.

*4: Installed only on the right-side Handrail Inlet Cap (when viewed from the boarding and landing areas).
Combination with a Comb-Side LED Indicator is not applicable.

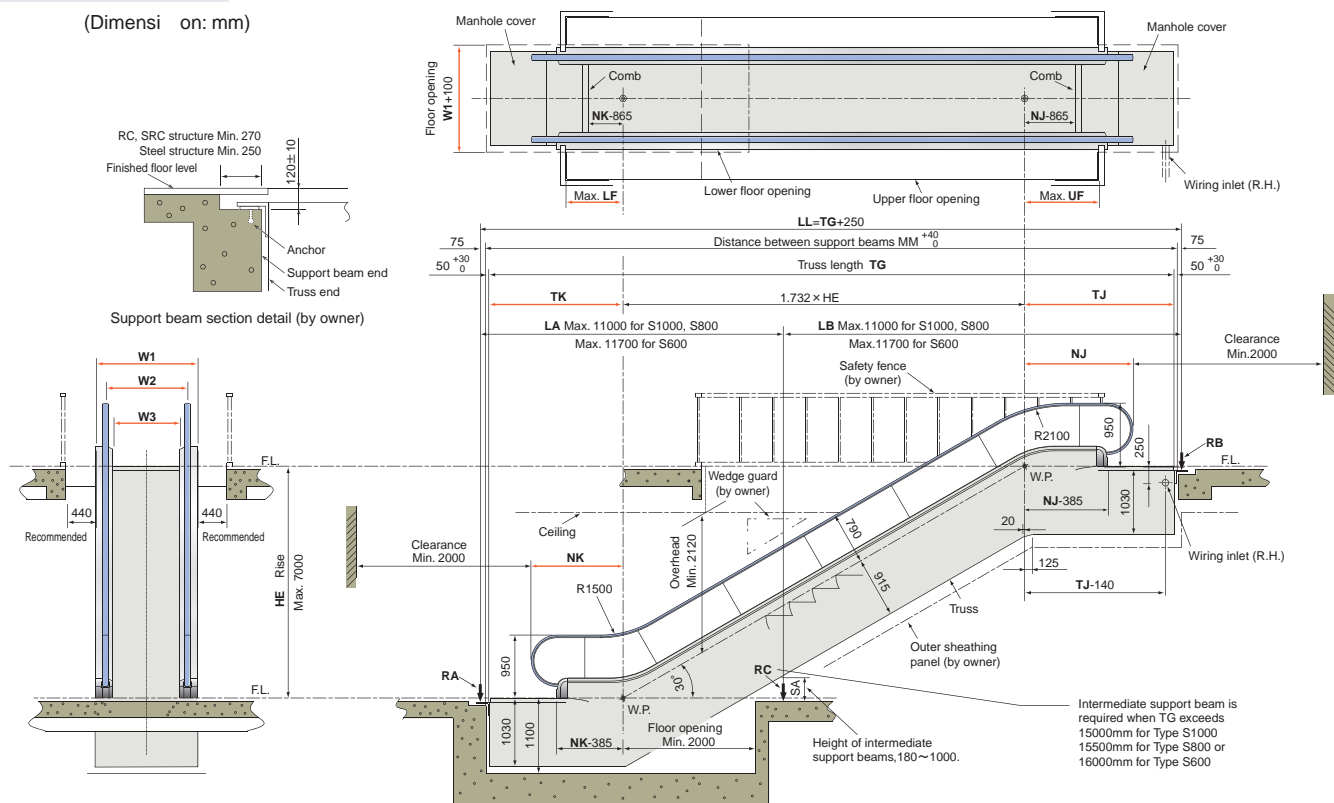
*5: Combination with a Comb Light is not applicable.



Escalators in the graphics are based on the Japan Code, with optional Fluoropolymer Coating on Skirt Guard.

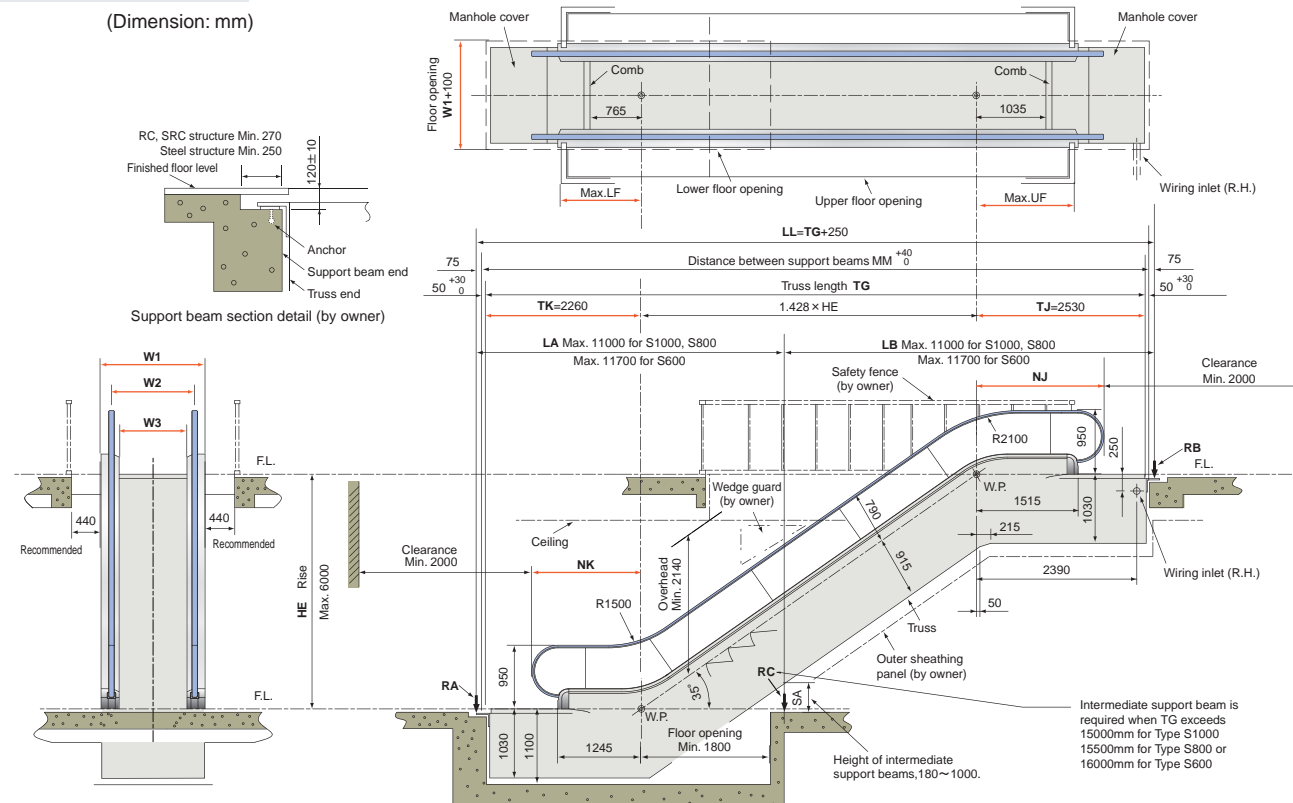
Japan 30°

(Dimension: mm)



Japan 35°

(Dimension: mm)



For VVVF control, TJ may increase from that shown. Please contact your local Mitsubishi Electric sales agent for details.

For VVVF control, TJ may increase from that shown. Please contact your local Mitsubishi Electric sales agent for details.

Standard dimensions

Type	S600	S800	S1000
W1 (Escalator Width)	1150	1350	1550
W2 (Between Moving Handrails)	840	1040	1240
W3 (Between Skirt Panels)	610	810	1010

Horizontal Steps	LF	UF	NK	NJ
1.5 Steps(Nominal)*	850	1100	1385	1635
3 Steps	1440	1725	1975	2260

Reaction force on beam (N)

	Without intermediate support beam	With intermediate support beam
RA	$\alpha \cdot LL + \frac{4220 \cdot (LL - TK + X1) + 12000 \cdot (TJ - X2)}{LL}$	$\alpha \cdot LA + 4220 - \frac{4220 \cdot (TK - X1)}{LA}$
RB	$\alpha \cdot LL + \frac{4220 \cdot (TK - X1) + 12000 \cdot (LL - TJ + X2)}{LL}$	$\alpha \cdot LB + 12000 - \frac{12000 \cdot (TJ - X2)}{LB}$
RC	—	$\alpha \cdot LL + \frac{4220 \cdot (TK - X1)}{LA} + \frac{12000 \cdot (TJ - X2)}{LB}$

Reaction force factors

Type	TG	α (N/mm)	
		Indoor	Outdoor
S1000	TG ≤ 13500	4.04	4.04
	13500 < TG ≤ 15000	4.11	
	15000 < TG	4.04	
S800	TG ≤ 13850	3.60	—
	13850 < TG ≤ 15500	3.66	
	15500 < TG	3.60	
S600	TG ≤ 14200	3.16	3.16
	14200 < TG ≤ 16000	3.22	
	16000 < TG	3.16	

Horizontal Steps	TJ	TK	X1	X2
1.5 Steps(Nominal)*	2265	2015	866	1105
3 Steps	2890	2605	1456	1730

Standard dimensions

Type	S600	S800	S1000
W1 (Escalator Width)	1150	1350	1550
W2 (Between Moving Handrails)	840	1040	1240
W3 (Between Skirt Panels)	610	810	1010

Horizontal Steps	LF	UF	NK	NJ
2 Steps	1095	1365	1630	1900

Reaction force on beam (N)

	Without intermediate support beam	With intermediate support beam
RA	$\alpha \cdot LL + \frac{4220 \cdot (LL - TK + 1111) + 12000 \cdot (TJ - 1370)}{LL}$	$\alpha \cdot LA + 4220 - \frac{4220 \cdot (TK - 1111)}{LA}$
RB	$\alpha \cdot LL + \frac{4220 \cdot (TK - 1111) + 12000 \cdot (LL - TJ + 1370)}{LL}$	$\alpha \cdot LB + 12000 - \frac{12000 \cdot (TJ - 1370)}{LB}$
RC	—	$\alpha \cdot LL + \frac{4220 \cdot (TK - 1111)}{LA} + \frac{12000 \cdot (TJ - 1370)}{LB}$

Reaction force factors

Type	TG	α (N/mm)	
		Indoor	Outdoor
S1000	TG ≤ 13500	4.04	4.04
	13500 < TG ≤ 15000	4.11	
	15000 < TG	4.04	
S800	TG ≤ 13600	3.60	—
	13600 < TG ≤ 15250	3.66	
	15250 < TG	3.60	
S600	TG ≤ 14200	3.16	3.16
	14200 < TG ≤ 16000	3.22	
	16000 < TG	3.16	

*Please contact your local Mitsubishi Electric sales agent for the actual number of steps.